

ADA-VS18813

Features

- Certified 304 Grade 18 Gauge Surgical Stainless Steel.
- Undercounter Design.
- ADA-Compliant
(when installed according to ADA mounting guidelines).
- Single Compartment.
- Rounded Bowl.
- Unique sound-deadening system with sound pads and a special coating.
- Lustrous and enduring finish which compliments any decor.
- Limited lifetime warranty.

Undercounter Kitchen



--- Dimensions ---	
Outer:	30" x 18" x 5-1/2"
Inner:	28" x 16" x 5-1/2"

Model	Description	Colors / Finishes
ADA-VS18813	Undercounter Sink	N/A

Included Components

- Mounting Clips
- Cut-out template

Colors / Finishes

- N/A None Applicable

Optional Accessories

- Standard Strainer
- Premium Strainer
- Sink Grid

Codes / Standards Applicable

Specified model meets or exceeds the following:

- UPC Certified



Product Specification

This undercounter sink shall be a single compartment with rounded bowl. It shall be 30" in length and 18" in width, with an overall depth of 5-1/2". Sink shall be made of 18 Gauge Stainless Steel, and be ADA-Compliant when installed according to ADA mounting guidelines. Sink shall include installation hardware. Sink shall be ADA Model ADA-VS18813.

TECHNICAL INFORMATION

Fixture*	
Overall Inner Area	28" x 16"
Water Depth	5-1/2"
Drain Hole	3-5/8" D
*Approximate measurements for comparison only.	

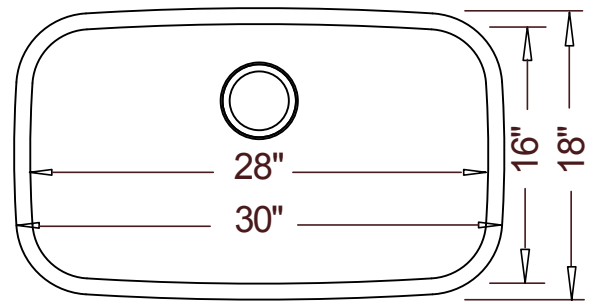


Product Image

Front View



Top View



Product Diagram