

## LI-BS-UM3-ADA

### Dual-Mount Kitchen

#### Features

- Certified 16 Gauge 304 Grade Surgical Stainless Steel
- Dual-Mount Style
- ADA-Compliant  
(when installed according to ADA mounting guidelines)
- Dual Compartments
- Rounded Bowls
- Unique sound-deadening system with sound pads and a special coating
- Lustrous and enduring finish which compliments any decor
- Limited lifetime warranty



--- Dimensions ---	
Outer:	31-1/2" x 18-1/2" x 5-7/8"
Inner:	29-1/2" x 18-1/2" x 5-7/8"
Left Bowl:	17-3/4" x 18-1/2" x 5-7/8"
Right Bowl:	10-3/4" x 16" x 5-7/8"

Model	Description	Colors / Finishes
LI-BS-UM3-ADA	Dual-Mount Sink	N/A

#### Included Components

- Undercounting Clips
- Cut-out template

#### Colors / Finishes

- N/A None Applicable

#### Optional Accessories

- Standard Strainer
- Premium Strainer
- Sink Grid
- Top-Mounting Clip Set

#### Codes / Standards Applicable

Specified model meets or exceeds the following:

- UPC Certified
- CSA Certified



#### Product Specification

This ADA-Compliant sink shall be a dual compartment with rounded bowls. It shall be 31-1/2" in length and 18-1/2" in width, with each bowl having a depth of 5-7/8". Sink shall be made of 16 Gauge 304 Grade Surgical Stainless Steel. Sink shall be ADA-Compliant when installed according to ADA mounting guidelines. Sink shall include cut-out template. Sink shall be ADA Model LI-BS-UM3-ADA.

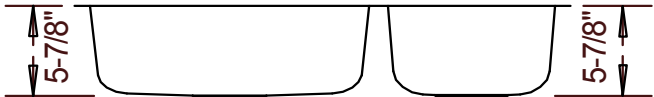
**TECHNICAL INFORMATION**

Fixture*	
Overall Inner Area	29-1/2" x 18-1/2"
Left Bowl Basin Area	17-3/4" x 18-1/2"
Right Bowl Basin Area	10-3/4" x 16"
Left Bowl Water Depth	5-7/8"
Right Bowl Water Depth	5-7/8"
Drain Hole (Each Bowl)	3-5/8" D
*Approximate measurements for comparison only.	

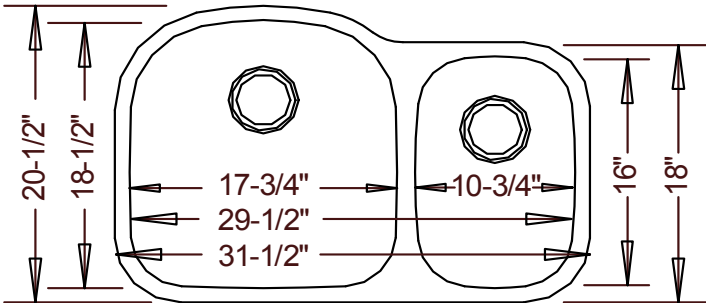


**Product Image**

**Front View**



**Top View**



**Product Diagram**