

ADA-963

Drop-In Kitchen

Features

- Certified 304 Grade Surgical Stainless Steel
- Drop-In Style
- Rear Drain
- ADA-Compliant
(when installed according to ADA mounting guidelines)
- Single Compartment
- Rounded Bowl
- Unique sound-deadening system with sound pads and a special coating
- Lustrous and enduring finish which compliments any decor
- Limited lifetime warranty



--- Dimensions ---	
Outer:	20" x 20-1/2" x 6"
Inner:	18" x 16-1/8" x 6"

Model	Description	Colors / Finishes
ADA-963	Drop-In Sink	N/A

Included Components

- Cut-out template

Colors / Finishes

- N/A None Applicable

Optional Accessories

- Standard Strainer
- Premium Strainer
- Sink Grid

Codes / Standards Applicable

Specified model meets or exceeds the following:

- UPC Certified
- CSA Certified



Product Specification

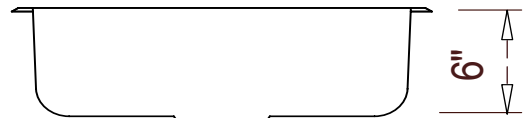
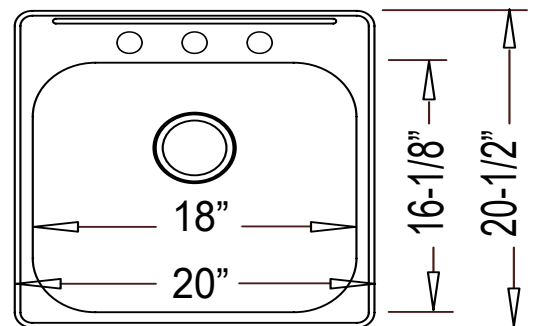
This ADA-Compliant sink shall be a single compartment with rounded bowl. It shall be 20" in length and 20-1/2" in width, with a bowl depth of 6". Sink shall be made of 304 Grade Surgical Stainless Steel. Sink shall be ADA-Compliant when installed according to ADA mounting guidelines. Sink shall include cut-out template.

Sink shall be Model ADA-963.

TECHNICAL INFORMATION

Fixture*	
Basin Area	18" x 16-1/8"
Water Depth	6"
Drain Hole	3-5/8" D

*Approximate measurements for comparison only.

**Product Image****Front View****Top View****Product Diagram**